



MOLDED PLASTIC HAMPER

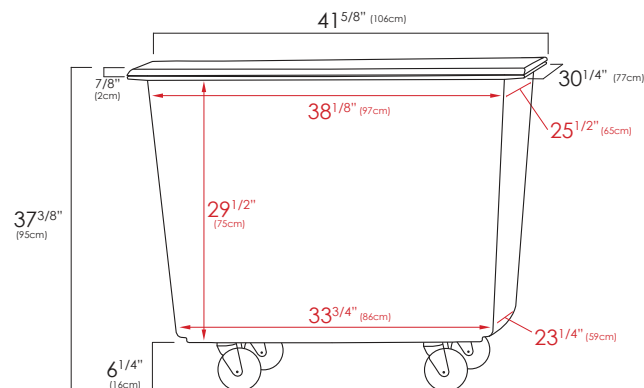
The King's Drape Hamper was born out of the need for a cost effective yet practical solution for the storage and transport of rental drapes. Old style canvas hampers are just not robust enough for the daily rigors of the rental and staging industry. While ATA cases offer durability, the empty weight can be 30% to 50% higher. With its combined functionality and durability, the Drape Kings Hamper is a must for anyone with drape. Road tested and crew approved!

FEATURES

- » Exclusively designed and manufactured by Drape Kings
- » Rigid, roto molded plastic hamper designed to ship and store drape
- » Keeps fabric clean, dry and protected
- » 16 Bushel capacity
- » 5" x 1.25" Polypropylene wheels with full-swivel casters
- » Comes standard with a heavy-duty foam core plastic lid with wheel wells for double stacking (2 high)
- » Empty hampers can be easily nested to minimize required storage space
- » 8.5" x 11" label holder on one side
- » Your company logo can be added for an additional cost (hamper does not come with a logo)
- » Black in stock; custom colors available with minimum order



Heavy-duty molded plastic, foam filled lid with wheel wells for stacking (2 high)



DIMENSIONS

- » Empty weight (with lid): 74lbs
- » Empty weight (hamper only): 52lbs
- » Empty weight (lid only): 22lbs
- » Recommended weight capacity: 300lbs

All dimensions nominal due to plastic molding